

Name: _____ Date: _____ Event: _____

Track: INDOOR OUTDOOR Size: SMALL MEDIUM LARGE Traction: LOW MEDIUM HIGH

Surface: SMOOTH BUMPY RUTTED Type: LOOSE / LOAMY HARD PACKED BLUE GROOVE CLAY ASTRO

Bumpsteer/Ackerman/Servo Saver/Steering Stop: _____ Condition: DUSTY DRY WET MUDDY

WASHERS:

WASHERS:

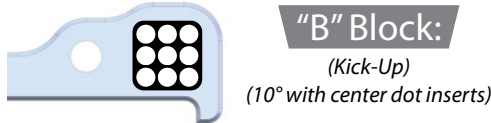
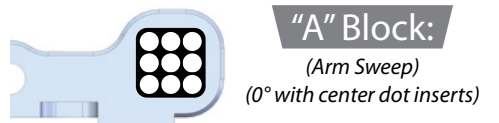
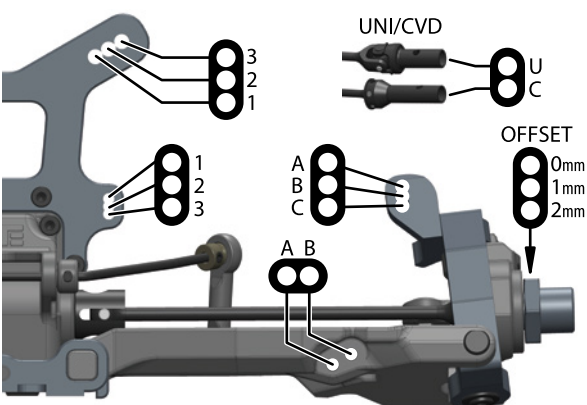
FRONT OF VEHICLE

(plate can be flipped)

FULL TURNS FROM FULLY TIGHT

WASHERS:

Front End:



Suspension:

RIDE HEIGHT:	CAMBER:
CASTER BLOCK:	SWEEP:
KICK UP:	TOE:
SWAY BAR:	DROOP:

OIL: _____ BRAND: _____

PISTON: _____ SPRING: _____

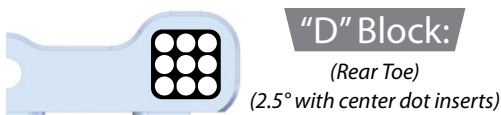
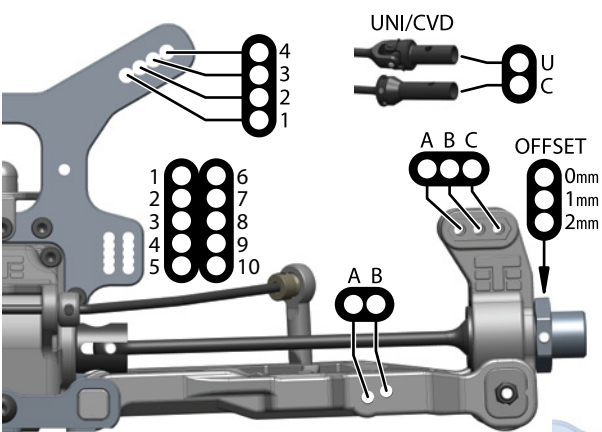
REBOUND: _____ BUILD: _____

Shocks:

Differential Oil:

FRONT	CENTER	REAR
/	/	/
Drivetrain:		
CLUTCH / SPUR:	/	(teeth)
CLUTCH SHOES:		
CLUTCH SPRINGS:		
BRAKE BIAS %:	(front)	(rear)
Equipment:		
ENGINE / PIPE:	/	
FUEL / PLUG:	/	
RX BATTERY:		
	STEERING	THROTTLE / BRAKE
SERVO:	/	

Rear End:



Suspension:

RIDE HEIGHT:	CAMBER:
ANTI-SQUAT:	TOE:
SWAY BAR:	DROOP:

OIL: _____ BRAND: _____

PISTON: _____ SPRING: _____

REBOUND: _____ BUILD: _____

Shocks:

Tires / Wheels:

REAR-SHORT: REAR-LONG:

Brand / Tread: _____

Compound: _____

Insert: _____

Wheel: _____

Notes: _____

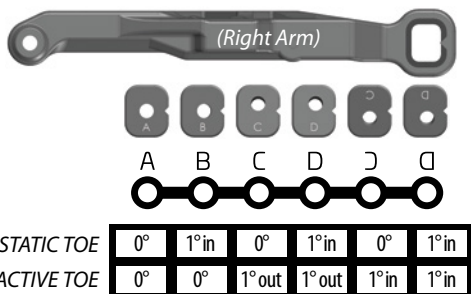
Body / Wing:

Body Make: _____

Wing Make: _____

Notes:

Arm Inserts:



Rear Hub / Wheelbase:

