

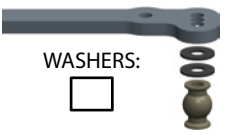
Name: _____ Date: _____ Event: _____

Track: INDOOR OUTDOOR Size: SMALL MEDIUM LARGE Traction: LOW MEDIUM HIGH


Surface: SMOOTH BUMPY RUTTED Type: LOOSE / LOAMY HARD PACKED BLUE GROOVE CLAY ASTRO

Bumpsteer/Ackerman/Servo Saver/Steering Stop: _____ Condition: DUSTY DRY WET MUDDY

WASHERS:

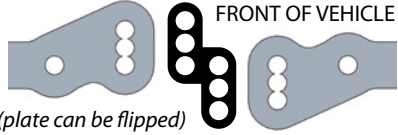


WASHERS:



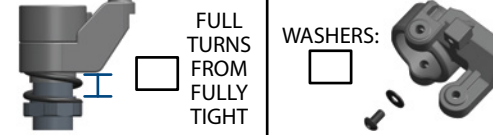
FRONT OF VEHICLE

(plate can be flipped)

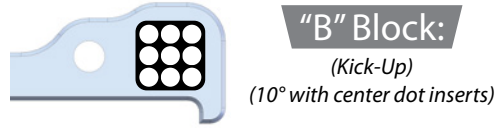
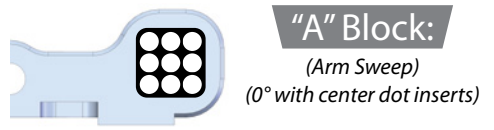
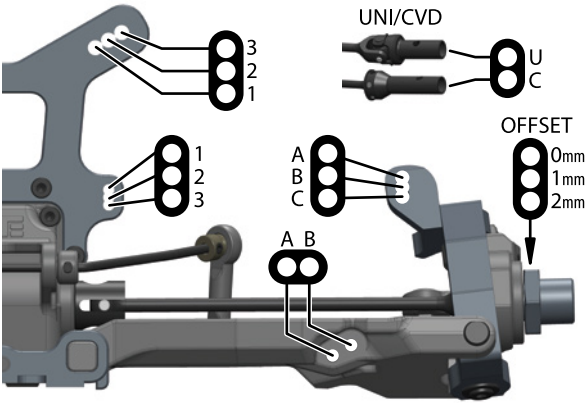


FULL TURNS FROM FULLY TIGHT

WASHERS:



Front End:



Suspension:

RIDE HEIGHT: _____ CAMBER: _____
 CASTER BLOCK: _____ SWEEP: _____
 KICK UP: _____ TOE: _____
 SWAY BAR: _____ DROOP: _____

Shocks:

OIL: _____ BRAND: _____
 PISTON: _____ SPRING: _____
 REBOUND: _____ BUILD: _____

Differential Oil:

FRONT	CENTER	REAR
/	/	/
Drivetrain:		
PINION / SPUR: _____	/	(teeth)
Equipment:		

ESC: _____
 BATTERY: _____
 MOTOR: _____
 SERVO: _____

Chassis Braces:

CENTER DIFF: REAR:
 BATTERY INNER: BATTERY OUTER:

Tires / Wheels:

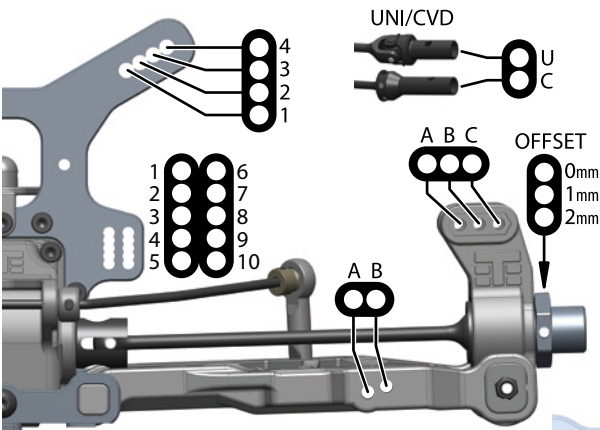
BRAND / TREAD: _____
 COMPOUND: _____
 INSERT: _____
 WHEEL: _____
 NOTES: _____

Body / Wing:

BODY MAKE: _____
 WING MAKE: _____

Notes:

Rear End:



Suspension:

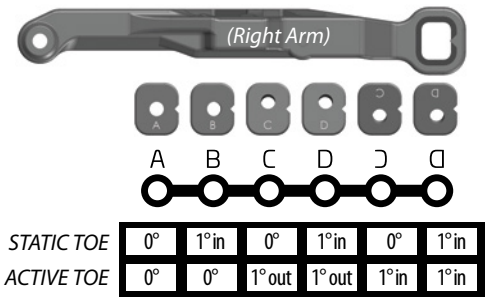
RIDE HEIGHT: _____ CAMBER: _____
 ANTI-SQUAT: _____ TOE: _____
 SWAY BAR: _____ DROOP: _____

Shocks:

OIL: _____ BRAND: _____
 PISTON: _____ SPRING: _____
 REBOUND: _____ BUILD: _____

Arm Inserts:

(Right Arm)

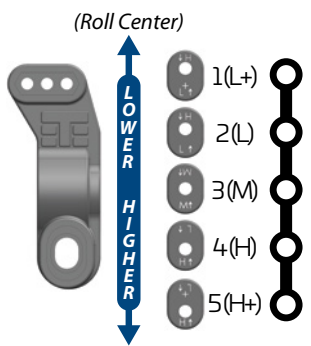


STATIC TOE	0°	1°in	0°	1°in	0°	1°in
ACTIVE TOE	0°	0°	1°out	1°out	1°in	1°in

Rear Hub / Wheelbase:

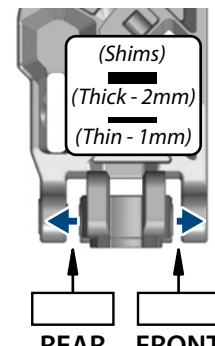
(Roll Center)

LOWER ↑ HIGHER ↓



1(L+) 2(L) 3(M) 4(H) 5(H+)

(Shims)
 (Thick - 2mm)
 (Thin - 1mm)



REAR FRONT