

Name: \_\_\_\_\_ Date: \_\_\_\_\_ Event: \_\_\_\_\_

Track: INDOOR  OUTDOOR  Size: SMALL  MEDIUM  LARGE  Traction: LOW  MEDIUM  HIGH

Surface: SMOOTH  BUMPY  RUTTED  Type: LOOSE / LOAMY  HARD PACKED  BLUE GROOVE  CLAY  ASTRO

Bumpsteer/Ackerman/Servo Saver/Steering Stop: \_\_\_\_\_ Condition: DUSTY  DRY  WET  MUDDY

WASHERS:

WASHERS:

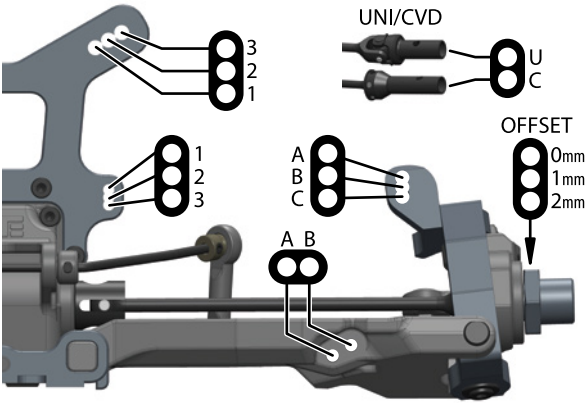
FRONT OF VEHICLE

(plate can be flipped)

FULL TURNS FROM FULLY TIGHT

WASHERS:

## Front End:



**"A" Block:**  
(Arm Sweep)  
(0° with center dot inserts)

**"B" Block:**  
(Kick-Up)  
(10° with center dot inserts)

## Suspension:

RIDE HEIGHT:	CAMBER:
CASTER BLOCK:	SWEEP:
KICK UP:	TOE:
SWAY BAR:	DROOP:

**Shocks:**

OIL:	BRAND:
PISTON:	SPRING:
REBOUND:	BUILD:

## Differential Oil:

FRONT	CENTER	REAR
/	/	/

**Drivetrain:**

PINION / SPUR: / (teeth)

## Equipment:

ESC: \_\_\_\_\_

BATTERY: \_\_\_\_\_

MOTOR: \_\_\_\_\_

SERVO: \_\_\_\_\_

## Chassis Braces:

CENTER DIFF:  REAR:

BATTERY INNER:  BATTERY OUTER:

## Tires / Wheels:

BRAND / TREAD: \_\_\_\_\_

COMPOUND: \_\_\_\_\_

INSERT: \_\_\_\_\_

WHEEL: \_\_\_\_\_

NOTES: \_\_\_\_\_

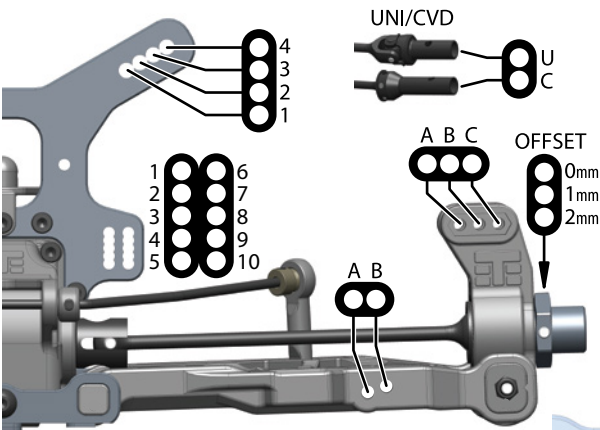
## Body / Wing:

BODY MAKE: \_\_\_\_\_

WING MAKE: \_\_\_\_\_

## Notes:

## Rear End:



**"C" Block:**  
(Anti-Squat)  
(1° with center dot inserts)

**"D" Block:**  
(Rear Toe)  
(2.5° with center dot inserts)

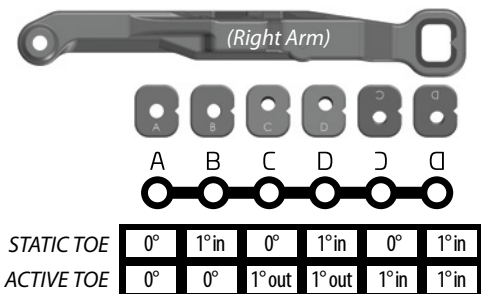
## Suspension:

RIDE HEIGHT:	CAMBER:
ANTI-SQUAT:	TOE:
SWAY BAR:	DROOP:

**Shocks:**

OIL:	BRAND:
PISTON:	SPRING:
REBOUND:	BUILD:

## Arm Inserts:



## Rear Hub / Wheelbase:

