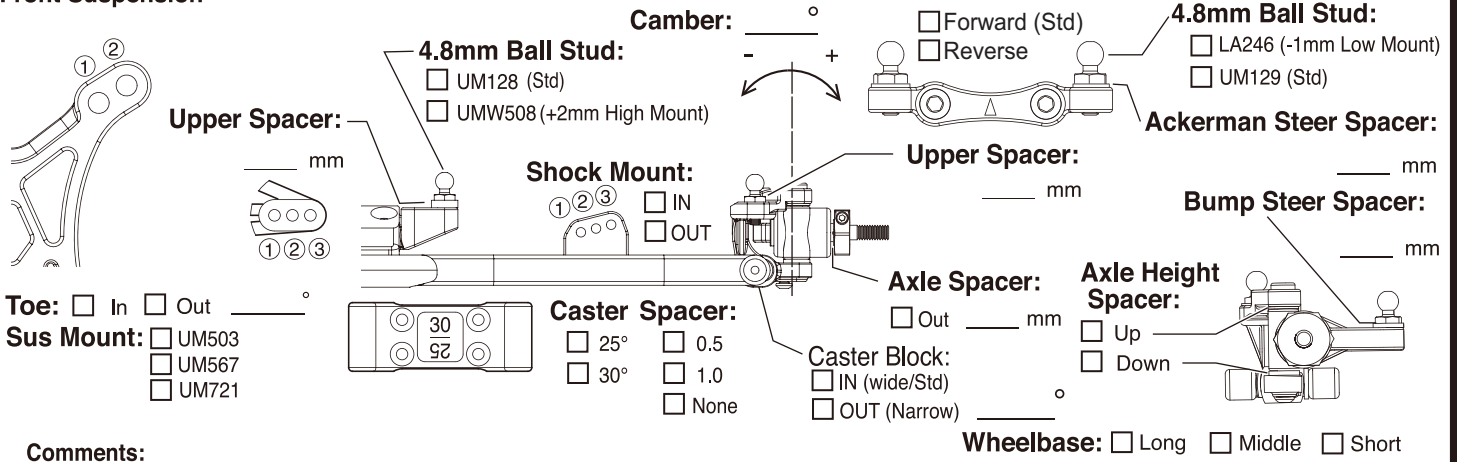


Name _____ Date _____ Track / City _____ Event _____

Front Suspension



4.8mm Ball Stud:
 UM128 (Std)
 UMW508 (+2mm High Mount)

Upper Spacer: _____ mm

Shock Mount:
 IN
 OUT

Camber: _____ °
 Forward (Std)
 Reverse

4.8mm Ball Stud:
 LA246 (-1mm Low Mount)
 UM129 (Std)

Ackerman Steer Spacer: _____ mm

Bump Steer Spacer: _____ mm

Upper Spacer: _____ mm

Toe: In Out _____ °

Sus Mount:
 UM503
 UM567
 UM721

Caster Spacer:
 25° 0.5
 30° 1.0
 None

Upper Spacer: _____ mm

Axle Spacer:
 Out _____ mm

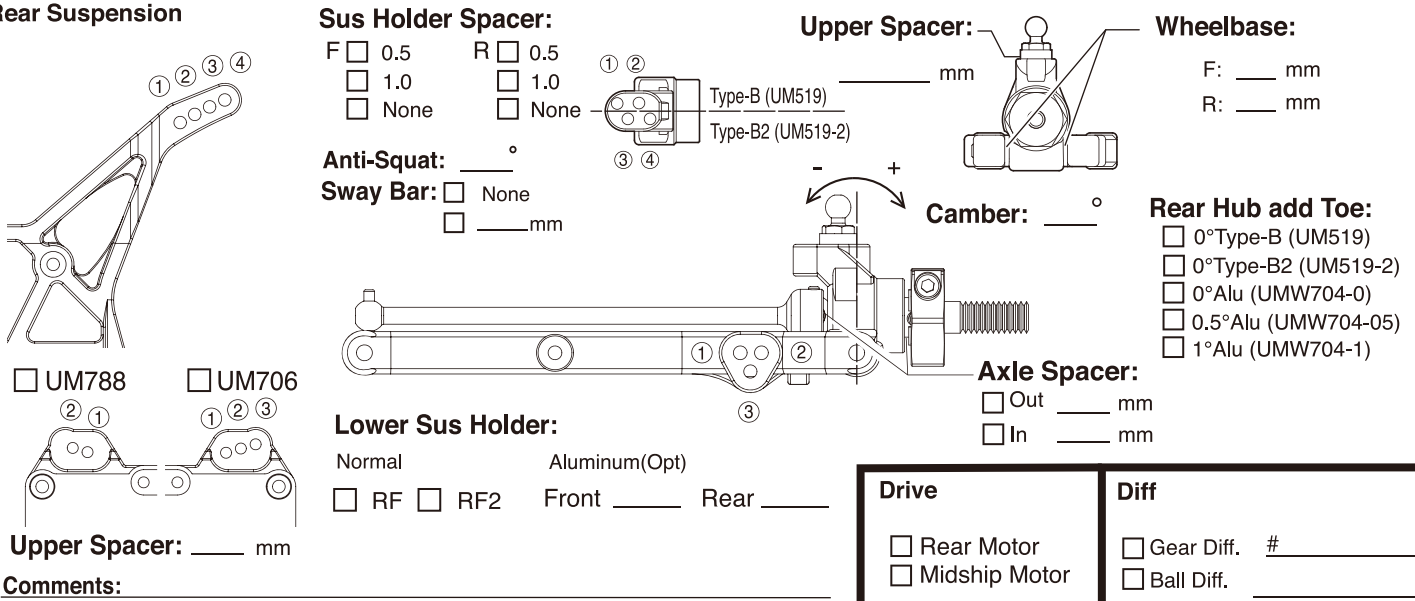
Axle Height Spacer:
 Up
 Down

Caster Block:
 IN (wide/Std)
 OUT (Narrow) _____ °

Wheelbase: Long Middle Short

Comments: _____

Rear Suspension



Sus Holder Spacer:
 F 0.5 1.0 None
 R 0.5 1.0 None

Upper Spacer: _____ mm

Wheelbase:
 F: _____ mm
 R: _____ mm

Anti-Squat: _____ °

Sway Bar: None _____ mm

Upper Spacer: _____ mm

Wheelbase: _____ mm

Camber: _____ °

Rear Hub add Toe:
 0° Type-B (UM519)
 0° Type-B2 (UM519-2)
 0° Alu (UMW704-0)
 0.5° Alu (UMW704-05)
 1° Alu (UMW704-1)

Lower Sus Holder:
 Normal Aluminum(Opt)
 RF RF2 Front _____ Rear _____

Axle Spacer:
 Out _____ mm
 In _____ mm

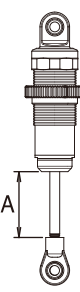
Drive
 Rear Motor
 Midship Motor

Diff
 Gear Diff. # _____
 Ball Diff. _____

Comments: _____

Shocks

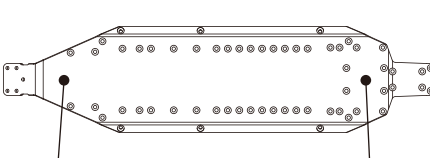
	Front		Rear	
Shock Piston:	_____	_____	_____	_____
Shock Oil:	# _____	# _____	# _____	# _____
Shock Spring:	_____	_____	_____	_____
Limiters:	in _____ mm out _____ mm	in _____ mm out _____ mm	in _____ mm out _____ mm	in _____ mm out _____ mm
Shock Length(A):	_____ mm	_____ mm	_____ mm	_____ mm
Shock Top Type:	<input type="checkbox"/> Nomal	<input type="checkbox"/> Alu(UM719)		
5.8mm Ball End:	Front: <input type="checkbox"/> S <input type="checkbox"/> M <input type="checkbox"/> L	Rear: <input type="checkbox"/> S <input type="checkbox"/> M <input type="checkbox"/> L		



Comments: _____

Chassis

Weight Placement

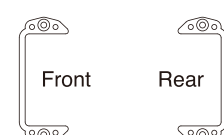


F _____ mm Ride Height: R _____ mm

	Front	Rear
Tire:	_____	_____
Inserts:	_____	_____
Wheel:	_____	_____
Traction Compound:	_____	_____

Comment : _____

Battery Placement



Front _____ Rear _____

Electronics

Motor: _____

Pinion/Spur: _____

Battery: _____

ESC: _____

Radio: _____

Servo: _____

Throttle/Brake: _____

EPA: _____ Expo: _____

Initial brake: _____

Drag brake: _____

Throttle profile: _____

Steering expo: _____

Steering speed: _____

Body

Material

Screw: Steel Titanium

Servo Hone: Nomal Rigid(UM717)

Pinion Gear: Steel Aluminium

Shock Ring: O-ring X-ring Red Clear