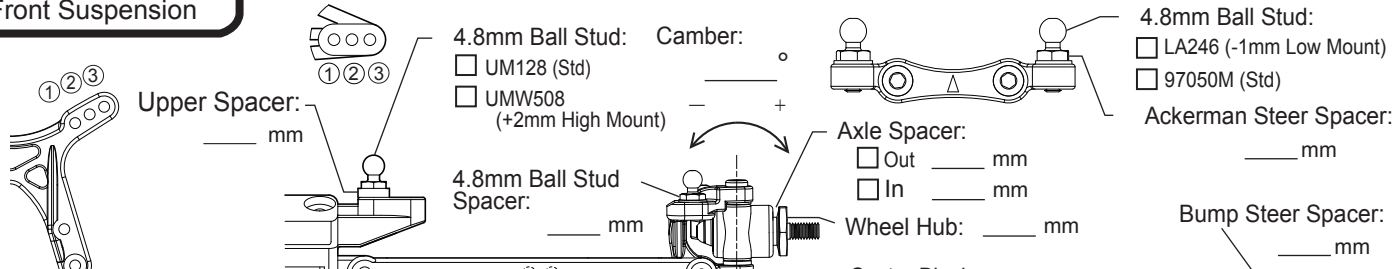


Name \_\_\_\_\_ Date \_\_\_\_\_ Track / City \_\_\_\_\_ Event \_\_\_\_\_

### Front Suspension



Upper Spacer: \_\_\_\_\_ mm

4.8mm Ball Stud:  UM128 (Std)  UMW508 (+2mm High Mount)

Camber: \_\_\_\_\_ °

Axle Spacer:  Out \_\_\_\_\_ mm  In \_\_\_\_\_ mm

4.8mm Ball Stud Spacer: \_\_\_\_\_ mm

Wheel Hub: \_\_\_\_\_ mm

Ackerman Steer Spacer: \_\_\_\_\_ mm

Bump Steer Spacer: \_\_\_\_\_ mm

Toe:  In  Out \_\_\_\_\_ °

Tie Rod: \_\_\_\_\_

Front Bulkhead Weight Placement:  None  Bulkhead Inside \_\_\_\_\_ oz \_\_\_\_\_ g  On the skid plate \_\_\_\_\_ oz \_\_\_\_\_ g

Caster:  25°  30°  0.5  1.0  None  0°  2°  4°  IN (wide/Std)  OUT (Narrow)

25 08

Spacer:  A (UM502)  B (UM721/Std)  C (UM567)

\*1oz=28g

Front Axle:  UM569 (RB6)  UM506 (RB5)

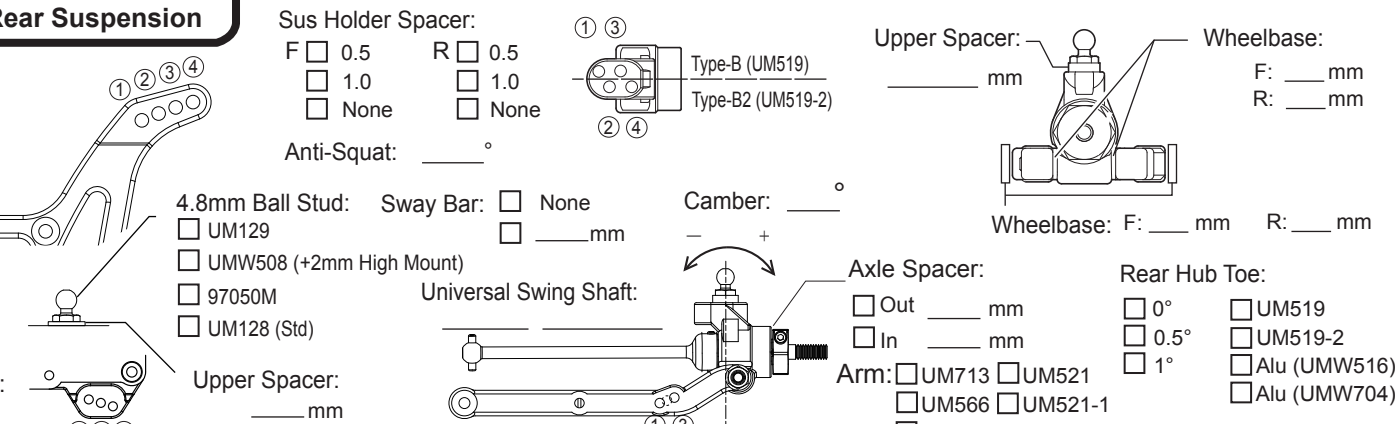
Caster Block position: \_\_\_\_\_

Axle Height Spacer:  \_\_\_\_\_ mm  \_\_\_\_\_ mm

Wheelbase: F: \_\_\_\_\_ mm R: \_\_\_\_\_ mm

Comments: \_\_\_\_\_

### Rear Suspension



Sus Holder Spacer: F  0.5  1.0  None R  0.5  1.0  None

Anti-Squat: \_\_\_\_\_ °

4.8mm Ball Stud:  UM129  UMW508 (+2mm High Mount)  97050M  UM128 (Std)

Sway Bar:  None  \_\_\_\_\_ mm

Camber: \_\_\_\_\_ °

Upper Spacer: \_\_\_\_\_ mm

Wheelbase: F: \_\_\_\_\_ mm R: \_\_\_\_\_ mm

RR: \_\_\_\_\_

Mid: \_\_\_\_\_

Lower Sus Holder: Normal  RF  RF2 Aluminum(Opt)  UMW511+UMW512  UMW514+UMW515  RM  MM

UMW705+UMW706: \_\_\_\_\_

UMW705+UMW707: \_\_\_\_\_

Universal Swing Shaft: \_\_\_\_\_

Axle Spacer:  Out \_\_\_\_\_ mm  In \_\_\_\_\_ mm

Arm:  UM713  UM521  UM566  UM521-1  UM503

Rear Hub Toe:  0°  0.5°  1°  UM519  UM519-2  Alu (UMW516)  Alu (UMW704)

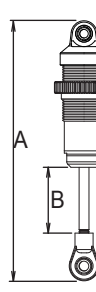
Motor Position:  Rear Motor  Midship Motor

Diff.:  Gear Diff. # \_\_\_\_\_  Ball Diff.

Comments: \_\_\_\_\_

### Shock

	Front			Rear		
Shock Piston:	_____	_____	_____	_____	_____	_____
Shock Oil:	# _____	_____	_____	# _____	_____	_____
Shock Spring:	_____	_____	_____	_____	_____	_____
Limiters:	in _____ mm	out _____ mm	_____ mm	in _____ mm	out _____ mm	_____ mm
Shock Length(A):	_____ mm	_____ mm	_____ mm	_____ mm	_____ mm	_____ mm
Shock Length(B):	_____ mm	_____ mm	_____ mm	_____ mm	_____ mm	_____ mm
O-ring:	_____	_____	_____	_____	_____	_____
Ball End type:	Front: S <input type="checkbox"/> M <input type="checkbox"/> L <input type="checkbox"/>	_____	_____	Rear: S <input type="checkbox"/> M <input type="checkbox"/> L <input type="checkbox"/>	_____	_____



### Battery Placement:

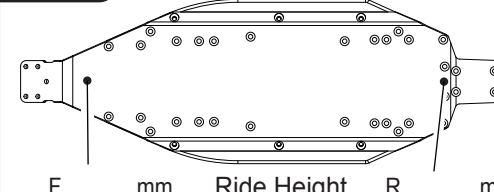
Comment: \_\_\_\_\_

○ None ● Screw

Front: \_\_\_\_\_ Rear: \_\_\_\_\_

Foam:  Front  Rear  None

### Chassis



F: \_\_\_\_\_ mm Ride Height R: \_\_\_\_\_ mm

### Battery Type

Straight  Separate  Short

Type: \_\_\_\_\_

### Other

Motor: \_\_\_\_\_

ESC: \_\_\_\_\_

Pinion/Spur: \_\_\_\_\_

### Tire

	Tire	Compound	Insert	Wheel
Front:	_____	_____	_____	_____
Rear:	_____	_____	_____	_____
Comment:	_____			

### Comment

\_\_\_\_\_

\_\_\_\_\_

\_\_\_\_\_

### Track Condition

<input type="checkbox"/> Smooth	<input type="checkbox"/> Sandy
<input type="checkbox"/> Bumpy	<input type="checkbox"/> Soft Dirt
<input type="checkbox"/> Low Traction	<input type="checkbox"/> Grass
<input type="checkbox"/> Med.Traction	<input type="checkbox"/> BlueGroove
<input type="checkbox"/> High Traction	<input type="checkbox"/> Clay
<input type="checkbox"/> Wet	<input type="checkbox"/> Dusty
<input type="checkbox"/> Dry	<input type="checkbox"/> _____

### Wing

Wing Mount :  Narrow  Wide

Wing Angle :  4°  7°  10°

Lip : \_\_\_\_\_